

# VERTICAL BLINDS

## Product Information Guide

### How to Measure

Inside Mount . . . . .	2
Outside Mount . . . . .	2

### Vertical Blinds



Product Detail . . . . .	3
Size Considerations . . . . .	3
Vane Stacking Chart . . . . .	3
Stacking Options . . . . .	4
Channel Panel for Fabric Vanes . . . . .	4

## How to Measure

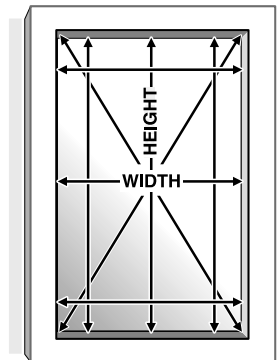
Measure each window individually as size variances are common. Record width first, then height (also referred to as length) to the nearest 1/8". Measure width from left to right, height from top to bottom, using a steel tape measure. Do not use a cloth tape.

### Inside Mount

Inside mount blinds are installed inside the window casing. **Window casing must be at least the listed depths for inside mount blinds.**

	 <b>Flush with Casing Mount</b> (inches)	 <b>Minimum Depth Mount</b> (inches)
Vertical Blind with Flush Headrail	2 3/4	2 3/4
Vertical Blind with Flush Vane	3 3/4	2 3/4
Vertical Blind with Flush Valance	4 5/8	2 3/4

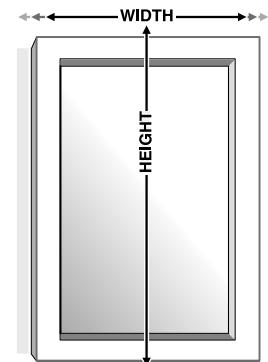
1. Measure the exact inside width of the window casing from one inside edge to the other in three different places. Record the narrowest measurement.
2. Measure the exact height in three different places from top edge of opening to top of sill. Record the shortest measurement.
3. Measure the window diagonally in two places as shown. If the two diagonal dimensions are not equal, we recommend an outside mount application for optimal function and aesthetics.
4. Do not take deductions. Allowances are made at the factory to ensure a perfect fit.



### Outside Mount

Outside mount blinds are installed outside the window casing, covering an area larger than the window itself.

1. Measure the exact width of the window, including the frame if there is one. Add 3" for each side (6" total overlap) to ensure light control and privacy.
2. Measure the exact height of the window from top edge of molding to bottom edge, or total top of sill if there is one. Add 3" to allow for adequate mounting area above the window.
3. If blind extends to the floor (e.g., to cover patio door), measure as in step two. Then add 3" to allow for adequate mounting area above the window and deduct 1/2" for clearance so the vanes do not touch the floor.
4. The factory makes NO allowances on outside mount.



# Vertical Blinds

## Product Detail

### 1½" x 1¼" Steel Headrail

- Reversible white painted steel headrail provides mounting flexibility and durability

### 3½" Vanes

- Available in vinyl and fabric styles
- Vinyl vanes are easy to clean and offer superior light control
  - Choose from smooth or embossed crown vinyl
- Fabric vanes can be free hanging or inserted into channel panel for more light control and privacy
  - Free hanging vanes come with sewn-in bottom weights

### 4¾" Extension Bracket

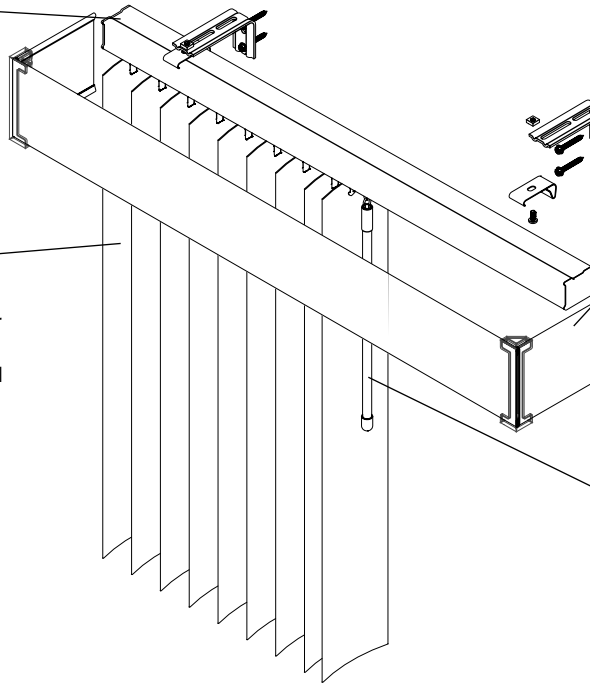
- Available at no charge

### Valance

- Channel panel valance with 5½" returns included

### Wand Draw Control

- One way, right or left
- 33" in length for all blind sizes
- Cordless control for child safety



## Size Considerations

Minimum Blind Width (inches)	13¼ inside mount* 13 outside mount
Maximum Blind Width (inches)	120¼ inside mount* 120 outside mount
Minimum Blind Height (inches)	6
Maximum Blind Height (inches)	104

\*¼" deduction is taken on all inside mount blinds.

**NOTE:** All measurements are exact.

## Vane Stacking Chart

Number of Vanes	Clear Opening (inches)	Finished Blind Width (inches)	Number of Vanes	Clear Opening (inches)	Finished Blind Width (inches)
5	12	16	22	57	69¼
6	14¾	19½	23	59½	72½
7	17½	22¼	24	62¼	75¾
8	20	25½	25	65¼	79
9	22½	28½	26	68	82¼
10	25¼	31½	27	69¾	85¼
11	28¼	34¾	28	72½	88½
12	30½	38	29	74¾	92
13	33¼	41½	30	77¼	94¼
14	35½	44¼	31	79¾	98½
15	38½	47¾	32	82¼	101¼
16	41½	50½	33	85	104½
17	43¾	53½	34	89½	108
18	46½	56¼	35	92½	111¼
19	49	59½	36	95½	114½
20	51¼	63	37	98½	117¾
21	54½	66½	38	99½	120

Stack = Finished Blind Width—Clear Opening

# Vertical Blinds

## Stacking Options

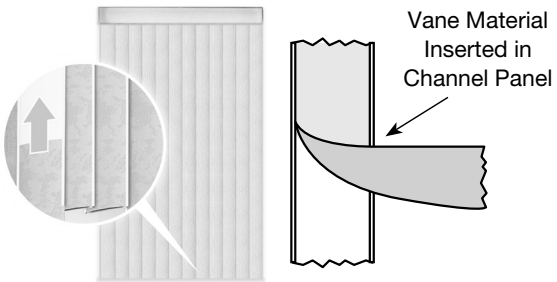


Left Stack, Left Wand Draw



Right Stack, Right Wand Draw

## Channel Panel for Fabric Vanes



- Option for fabric vanes to be inserted into extruded channel panel with clear edges
- Offers improved privacy, room darkening, and a neutral color appearance from exterior of window
- Channel panel colors offered in white and ivory